



# KONČAR

Končar Electronics and Informatics, Inc



## KONCOM

KONCOM is a genuine Končar product for a group of converters that transform one communication interface to another.

They are designed to operate in an industrial environment with increased resistance to disturbances and can be connected to a wide range of power supplies.

Constructed in a metal case they are firm, compact and easy to handle and install.

Installed power supply covers a wide range of 18-265 VDC and 230 VAC.

## FO Multiplexer

KONCOM RSFO MUX multiplexer has two basic working modes:

- multiplexer RS232/485 to 6 opto-inputs
- multiplexer one to five opto-inputs

FO interface can be produced in 2 basic versions:

- first one prepared for connection of plastic (range - 45m)
- second prepared for glass optical cables (range 2000m). (both can be "Light-ON" or "Light-OFF" working mode)

There is also an option of combining plastic and glass FO interface versions.

## RS converter

KONCOM RS is a signal converter from RS 232 to RS 485 or RS 422 interface.

The voltage isolation between RS 232 and RS 485 or RS 422 is 2,5 kV.

The converter is completely transparent concerning baud rate and number of bits in messages.

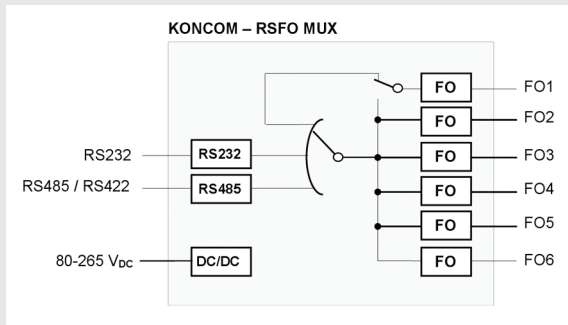
Changing of the message length and the transfer speed can be done during communication without additional settings of the device itself.

For the needs of the communication channels testing a twist can be made (connecting Rx to Tx) on the RS 232 and the RS 485 interfaces.

The resistors for closure of the RS 232 and the RS 485 interfaces are installed in the device and can be connected when needed.

The communication interfaces have overvoltage protection installed on communication lines.

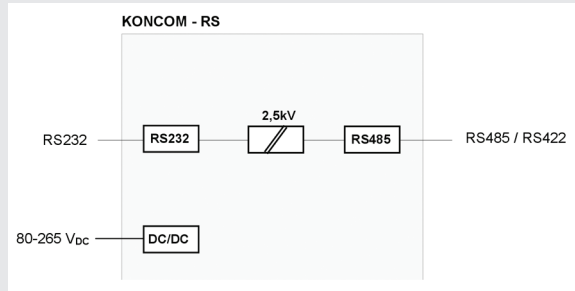
## FO Multiplexer



Scheme of the FO multiplexor

If the FO multiplexor is used for star type connection of the equipment the maximum number of the FO inputs is 5 or 6 depending on the number of multiplexors needed.

## RS Converter



Scheme of the RS converter

Micro switch S1 defines the setting of the RS 485 (RS 422) communication protocol while the switch S2 defines the setting of RS 232 interface and enables the testing of the communication channel.

## RS232 Interface

- Transfer speed 120 kbps
- ESD protection  $\pm 15$  kV
- Overvoltage protection  $\pm 15$  V
- Current protection 125 mA
- Connection choice DCE/DTE
- Connection DB9
- Loop yes

## FO Interface (plastic)

- Wave length 660 nm
- Connector type „Versatile Link“ („Snap-in“)
- Max transfer speed 1 Mbd
- Range  $< 45$  m
- Loop  $\bar{y}$ es

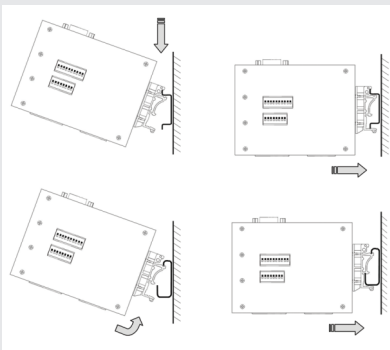
## RS485/RS422 Interface

- Transfer speed 250 kbps
- ESD protection  $\pm 15$  kV
- Overvoltage protection  $\pm 7,5$  V
- Current protection 125 mA
- Communication method Half / Full Duplex
- Communication direction AUTO / FIX
- Closure 120 $\Omega$

## FO Interface (glass)

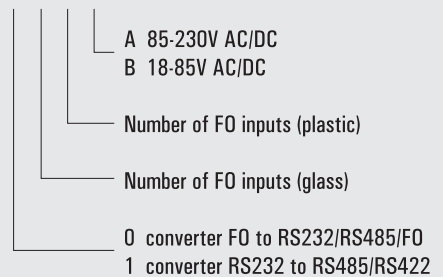
- Wave length 820 nm
- Connector type ST, FST
- Max transfer speed 5 Mbd
- Range  $< 2$  km
- Loop  $\bar{y}$ es

## Installation method



## Ordering number

**KONCOM 0 0 6 A**



**KONČAR**

Končar Electronics and Informatics, Inc

Fallerovo šetalište 22, 10000 Zagreb, Hrvatska  
 Tel.: +385 1 3655 771, fax: +385 1 3655 550  
 E-mail: sekundarna@koncar-inem.hr  
 www.koncar-inem.hr



ISO 9001 - ISO 14001  
**BUREAU VERITAS**  
 Certification

